

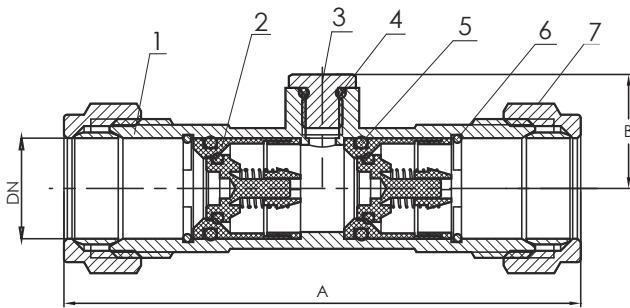
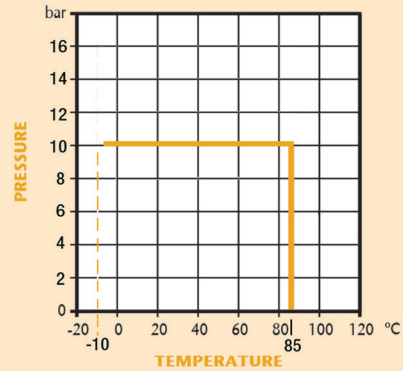
## DZR Brass Double Check Valve Compression Ends

### Features

- Compression Ends
- WRAS Approved
- Conforms with EN13959
- Prevention of back flow and back syphonage contamination



### Pressure / Temperature



DN	15mm	22mm	28mm
A	79	100	112
B	16	18.5	21
Kgs	0.10	0.19	0.30

### Technical Data

Max Pressure 10 Bar  
 Working Temperature -10°C to +85°C

N.	Part Name	Materials
1	Body	DZR
2	Non-return core	POM
3	Screw	Brass
4	O-Ring	NBR
5	Catch Spring	Stainless Steel 304
6	Compression Nut	Brass
7	Olive	T2 Copper

Dimensions in mm

This data sheet is designed as a guide and should not be regarded as wholly accurate in every detail. We reserve the right to amend the specification of any product without notice.